



US00D764858S

(12) **United States Design Patent** (10) **Patent No.:** **US D764,858 S**  
**Whitehead et al.** (45) **Date of Patent:** **\*\* Aug. 30, 2016**

(54) **GRILL PAN**  
(71) Applicant: **Finex Cast Iron Works, Inc.**, Portland, OR (US)  
(72) Inventors: **Mike Whitehead**, Portland, OR (US); **Patrick A. Scranton**, Vancouver, WA (US)  
(73) Assignee: **Finex Cast Iron Works, Inc.**, Portland, OR (US)  
(\*\*) Term: **14 Years**

(21) Appl. No.: **29/524,587**  
(22) Filed: **Apr. 21, 2015**  
(51) **LOC (10) Cl.** ..... **07-02**  
(52) **U.S. Cl.**  
USPC ..... **D7/361; D7/354; D7/360**  
(58) **Field of Classification Search**  
USPC ..... D7/323, 354-363, 391, 393-396, 409  
CPC ..... A47G 19/12; A47J 27/00; A47J 27/002;  
A47J 27/08; A47J 27/21; A47J 27/58;  
A47J 36/025; A47J 36/06; A47J 36/12;  
A47J 37/00; A47J 37/0676; A47J 37/10;  
A47J 37/101; A47J 37/103; A47J 37/12;  
A47J 37/1204; A47J 45/061; A47J 45/071;  
A47J 45/08; H05B 6/12  
See application file for complete search history.

(56) **References Cited**

**U.S. PATENT DOCUMENTS**

D29,714 S \* 11/1898 Hall ..... D7/359  
1,591,291 A \* 7/1926 Detwiler ..... A47J 37/0676  
99/446  
D85,804 S \* 12/1931 Axford ..... D7/359  
D204,996 S 6/1966 Lepoix  
3,717,478 A 2/1973 Lipfert

D258,189 S 2/1981 Miller  
D296,409 S 6/1988 Pomroy  
D297,604 S \* 9/1988 Hagberg ..... D7/359  
D414,981 S \* 10/1999 Roskind ..... D7/359  
6,029,843 A 2/2000 Kroscher et al.  
D423,279 S 4/2000 Barker  
D427,842 S \* 7/2000 Iacchetti ..... D7/359  
6,298,775 B1 \* 10/2001 Chen ..... A47J 45/061  
16/111.1

(Continued)

**OTHER PUBLICATIONS**

“Copper Octagonal 24 cm Pan,” Noble Traders Co Ltd, Available at [http://www.alibaba.com/produd-detail/Copper-Octagonal-24-cm-Pan\\_114723130.html](http://www.alibaba.com/produd-detail/Copper-Octagonal-24-cm-Pan_114723130.html), Available as early as Oct. 15, 2013, 4 pages.

(Continued)

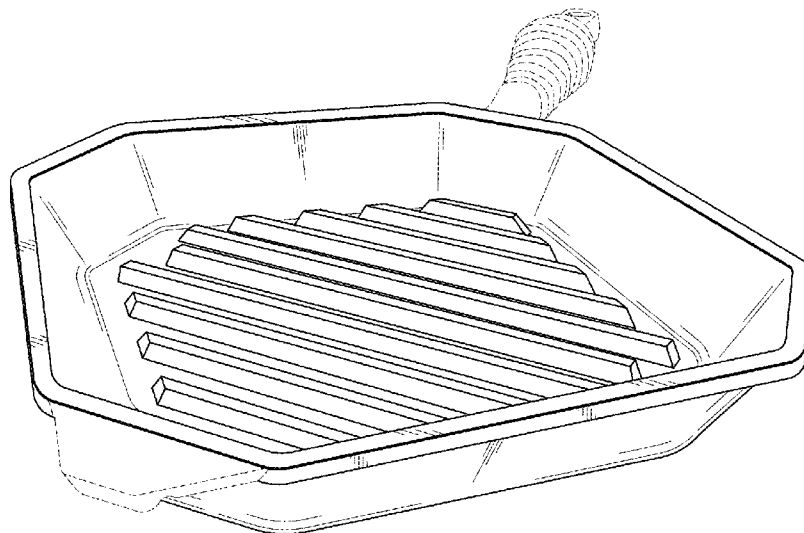
*Primary Examiner* — Ricky Pham  
(74) *Attorney, Agent, or Firm* — Alleman Hall McCoy Russell & Tuttle LLP

(57) **CLAIM**  
The ornamental design for a grill pan, as shown and described.

**DESCRIPTION**

FIG. 1 is a top perspective view of a grill pan according to the present invention.  
FIG. 2 is a right side view of the grill pan of FIG. 1, the left side view being a mirror image thereof.  
FIG. 3 is a front view of the grill pan of FIG. 1.  
FIG. 4 is a rear view of the grill pan of FIG. 1.  
FIG. 5 is a top view of the grill pan of FIG. 1; and, FIG. 6 is a bottom view of the grill pan of FIG. 1.  
The dashed lines illustrate a handle and a lifting tab that may be attached to the grill pan, and form no part of the claimed design.

**1 Claim, 3 Drawing Sheets**



(56)

**References Cited**

U.S. PATENT DOCUMENTS

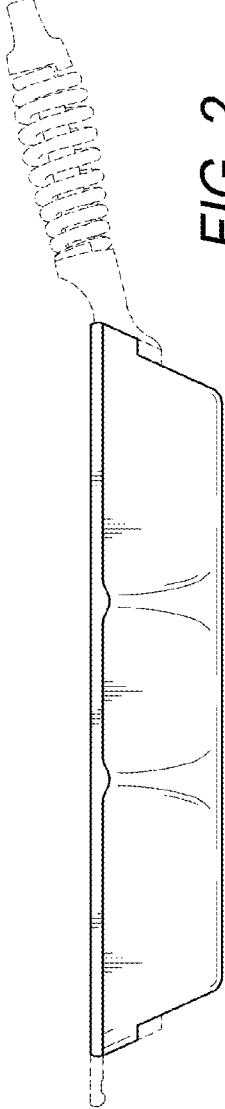
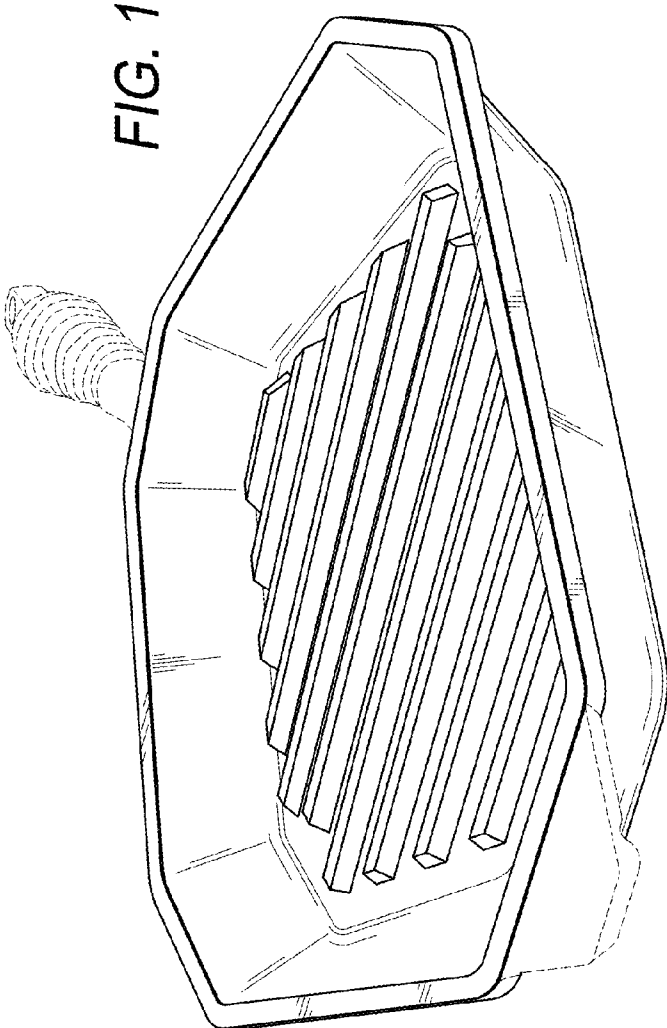
D470,711 S \* 2/2003 Kloppsteck ..... D7/359  
D511,929 S \* 11/2005 Coppi ..... D7/359  
D525,078 S \* 7/2006 Hoenstein ..... D7/359  
D528,354 S \* 9/2006 Lin ..... D7/361  
D672,604 S 12/2012 Upston et al.  
D699,506 S \* 2/2014 Lee ..... D7/354  
D717,586 S \* 11/2014 Whitehead ..... D7/354

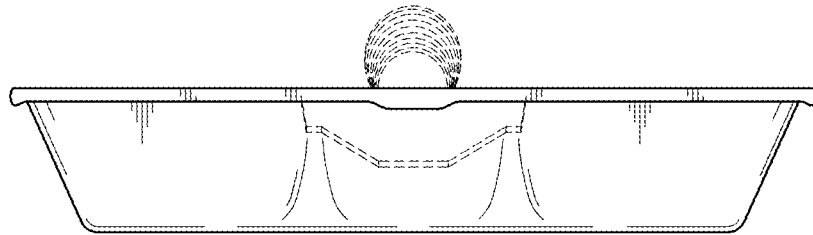
OTHER PUBLICATIONS

“Octagon Pan,” Firecrystals, Available at <http://www.firecrystals.com/Octagon-Pan-p/17105aa.htm>, Available as early as Oct. 15, 2013, 2 pages.

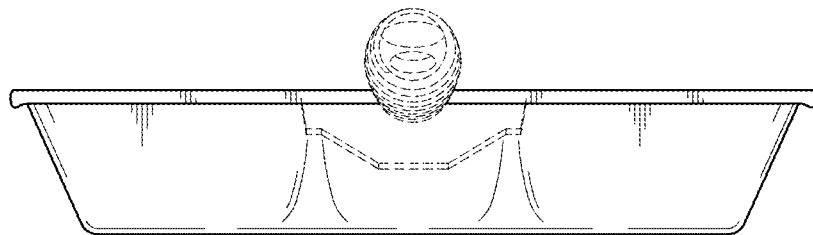
“Vintage Cake Pans Octagon and Square Bundt Pan,” Macandmarys, Etsy, Inc., Available at [http://www.etsy.com/isting/128218208/vintage-cake-pans-octagon-and-squareref=sr\\_gallery\\_5&ga\\_search\\_query=octagon&ga\\_search\\_type=vintage&ga\\_view\\_type=gallery](http://www.etsy.com/isting/128218208/vintage-cake-pans-octagon-and-squareref=sr_gallery_5&ga_search_query=octagon&ga_search_type=vintage&ga_view_type=gallery), Available as early as Oct. 15, 2013, 2 pages.

\* cited by examiner





**FIG. 3**



**FIG. 4**

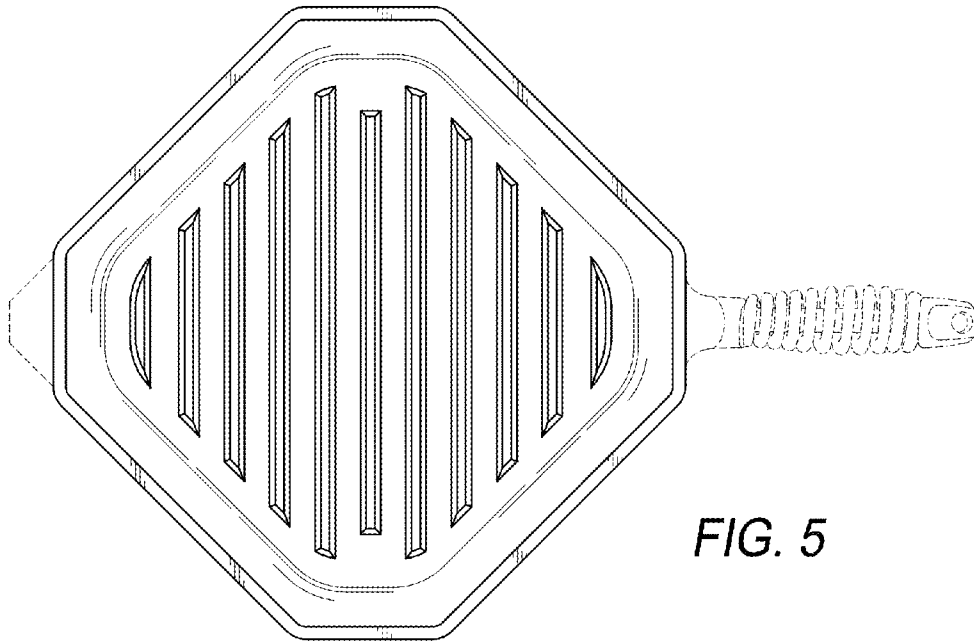


FIG. 5

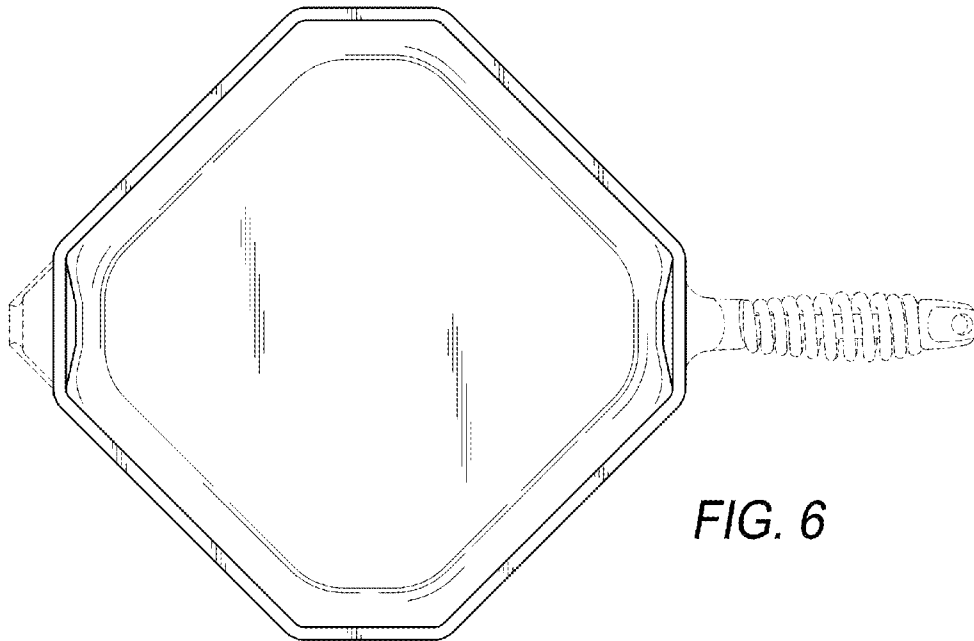


FIG. 6