



US00D717586S

(12) **United States Design Patent**
Whitehead

(10) **Patent No.:** **US D717,586 S**

(45) **Date of Patent:** **** Nov. 18, 2014**

(54) **SKILLET**

(71) Applicant: **Finex Cast Iron Works, LLC**, Portland, OR (US)

(72) Inventor: **Mike Whitehead**, Portland, OR (US)

(73) Assignee: **Finex Cast Iron Works, LLC**, Portland, OR (US)

(**) Term: **14 Years**

(21) Appl. No.: **29/469,996**

(22) Filed: **Oct. 16, 2013**

(51) **LOC (10) Cl.** **07-02**

(52) **U.S. Cl.**

USPC **D7/361**; D7/354

(58) **Field of Classification Search**

CPC A47G 19/12; A47G 27/00; A47G 27/002;
A47G 27/08; A47G 27/21; A47G 27/58;
A47G 36/025; A47G 36/06; A47G 36/08;
A47G 36/12; A47G 37/00; A47G 37/10;
A47G 37/101; A47G 37/103; A47G 37/12;
A47G 37/1204; A47G 45/061; A47G 45/071;
A47G 45/08; B65D 7/22; B65D 81/3438;
H05B 6/12

USPC D7/323, 354-363, 391, 393-396, 409;
99/324, 331, 339-340, 358, 403,
99/425-426, 444-445; 126/373.1,
126/383.1-384.1, 390.1; 219/438-439,
219/620-622; 220/367.1, 573.1-573.5,
220/752-753, 755-759, 912; 222/465.1,
222/470, 475.1; 426/109

See application file for complete search history.

(56) **References Cited**

U.S. PATENT DOCUMENTS

D85,804 S * 12/1931 Oxford D7/359
D204,996 S * 6/1966 Lepoix D7/354
3,717,478 A * 2/1973 Lipfert 426/109
D258,189 S * 2/1981 Miller D7/360
D296,409 S * 6/1988 Pomroy D7/359

D414,981 S * 10/1999 Roskind et al. D7/359
6,029,843 A * 2/2000 Kroscher et al. 220/367.1
D423,279 S * 4/2000 Barker D7/363
D427,842 S * 7/2000 Iacchetti D7/359
D511,929 S * 11/2005 Coppi D7/359
D528,354 S * 9/2006 Lin D7/361
D672,604 S * 12/2012 Upston et al. D7/361
D699,506 S * 2/2014 Lee D7/361

OTHER PUBLICATIONS

“Copper Octagonal 24 cm Pan”, Noble Traders Co Ltd, http://www.alibaba.com/product-detail/Copper-Octagonal-24-cm-Pan_114723130.html, Available as early as Oct. 15, 2013, 4 pages.
“Octagon Pan”, Firecrystals, <http://www.firecrystals.com/Octagon-Pan-p/17105aa.htm>, Available as early as Oct. 15, 2013, 2 pages.
“Vintage Cake Pans Octagon and Square Bundt Pan”, Macandmarys, Etsy, Inc., http://www.etsy.com/listing/128218208/vintage-cake-pans-octagon-and-square-ref=sr_gallery_5&ga_search_query=octagon&ga_search_type=vintage&ga_view_type=gallery, Available as early as Oct. 15, 2013, 2 pages.

* cited by examiner

Primary Examiner — Ricky Pham

(74) *Attorney, Agent, or Firm* — Alleman Hall McCoy Russell & Tuttle LLP

(57) **CLAIM**

The ornamental design for a skillet, as shown and described.

DESCRIPTION

FIG. 1 is a top perspective view of a skillet according to the present invention.

FIG. 2 is a left side view of the skillet of FIG. 1, the right side view being a mirror image thereof.

FIG. 3 is a front view of the skillet of FIG. 1.

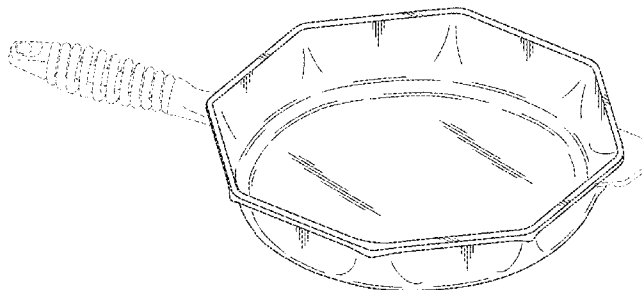
FIG. 4 is a rear view of the skillet of FIG. 1.

FIG. 5 is a bottom view of the skillet of FIG. 1; and,

FIG. 6 is a top view of the skillet of FIG. 1.

The dashed lines illustrate a handle and a lifting tab that may be attached to the skillet, and form no part of the claimed design.

1 Claim, 3 Drawing Sheets



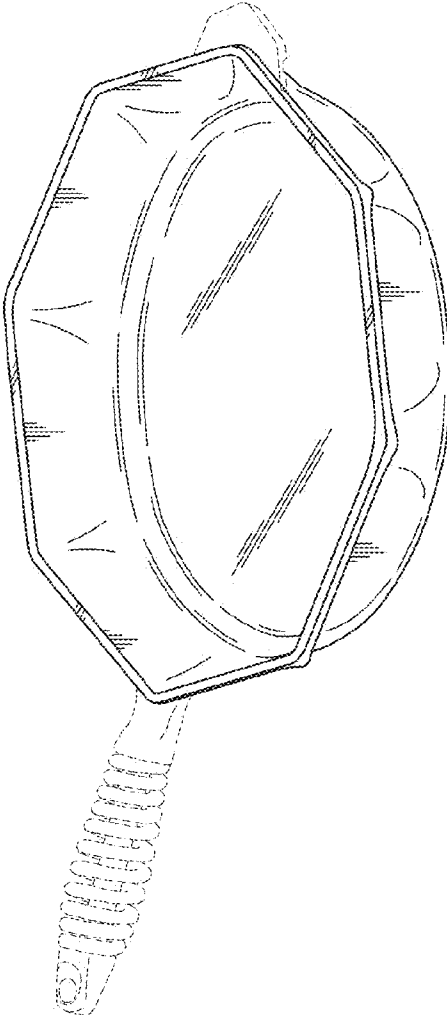


FIG. 1

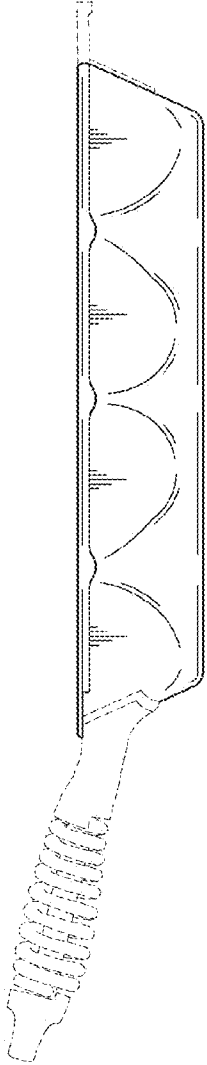


FIG. 2

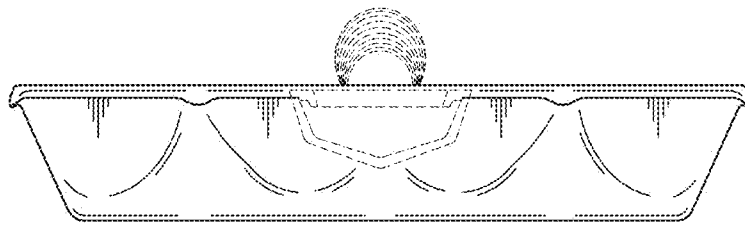


FIG. 3

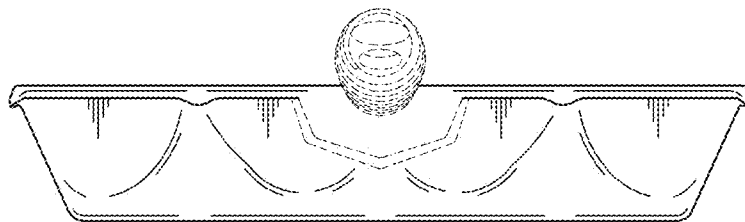


FIG. 4

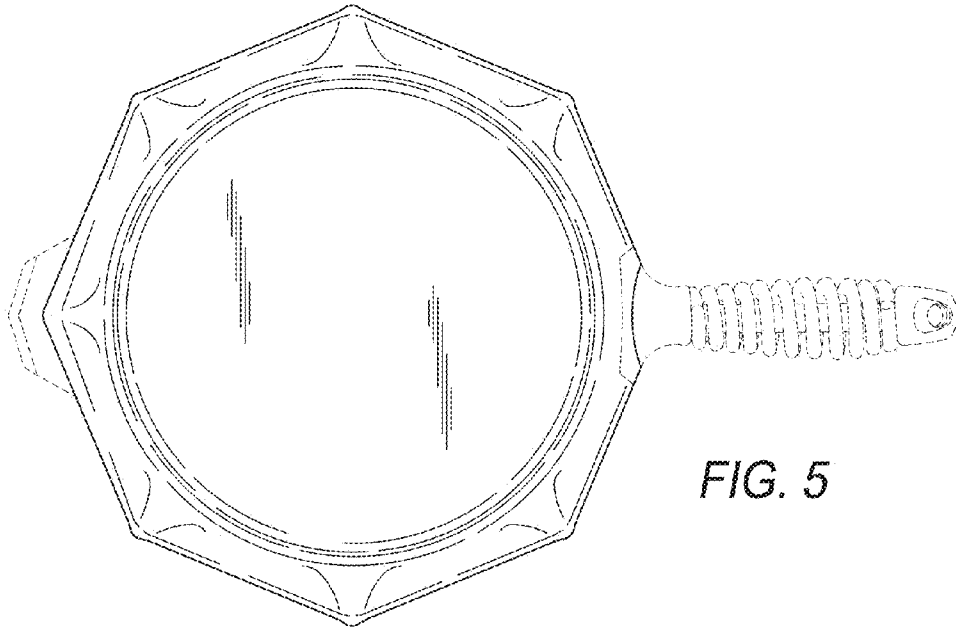


FIG. 5

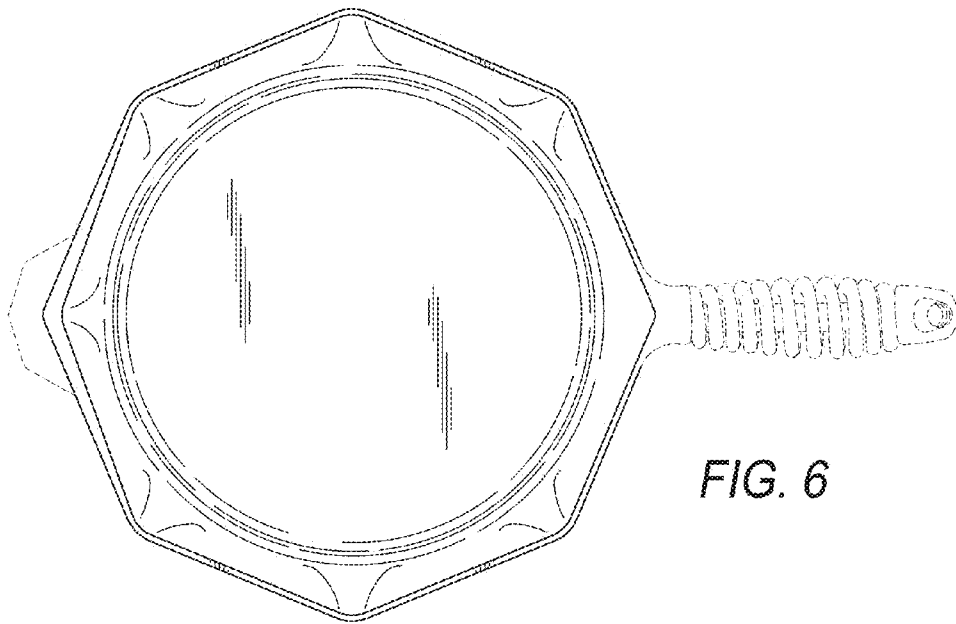


FIG. 6